

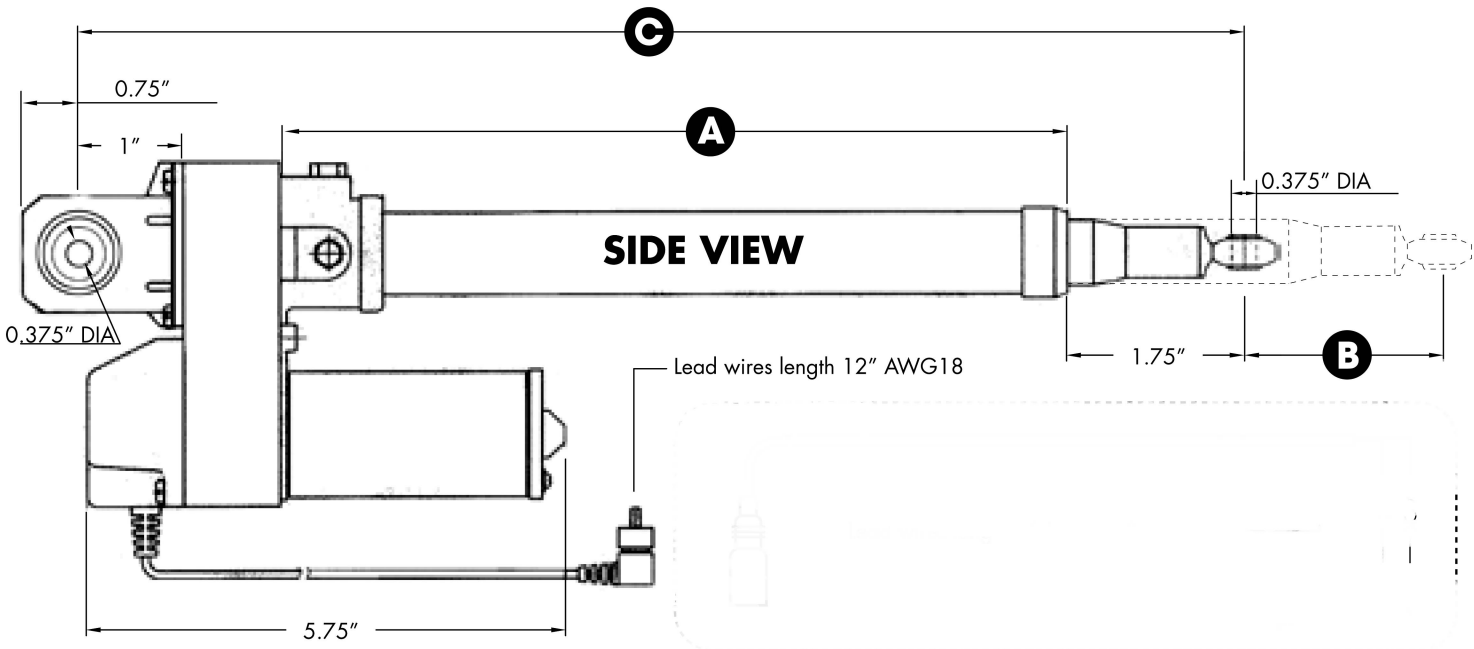
# LINEAR ACTUATOR 6" OR 8" STROKE SPECIFICATIONS

## 6" STROKE:

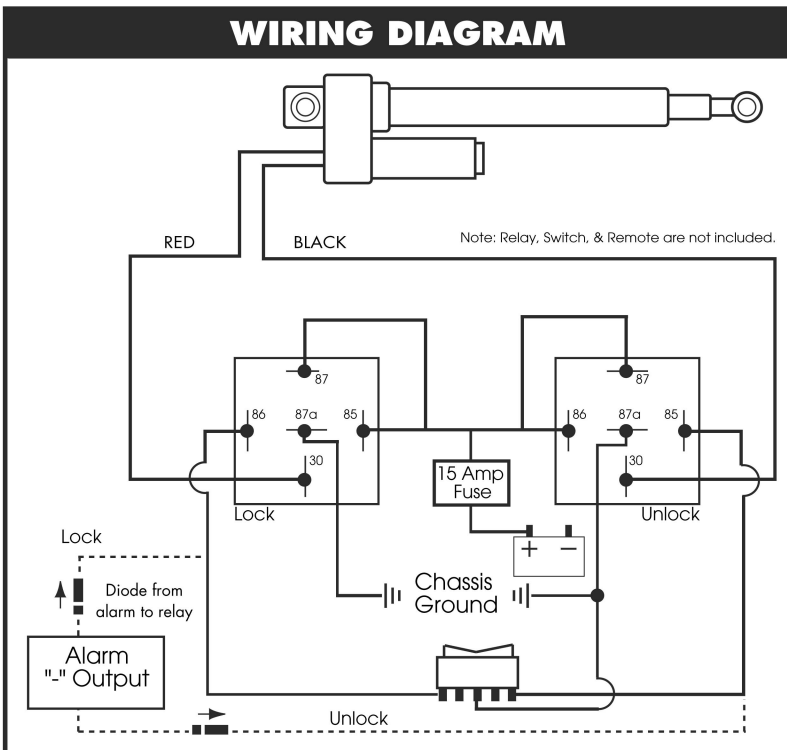
**B = STROKE MOVEMENT 5.25"**  
**C = LENGTH RETRACTED 13.75"**  
**A = DISTANCE 9.5"**

## 8" STROKE:

**B = STROKE MOVEMENT 7.875"**  
**C = LENGTH RETRACTED 15.75"**  
**A = DISTANCE 11.5"**



### WIRING DIAGRAM



### MOUNTING IDEAS

